



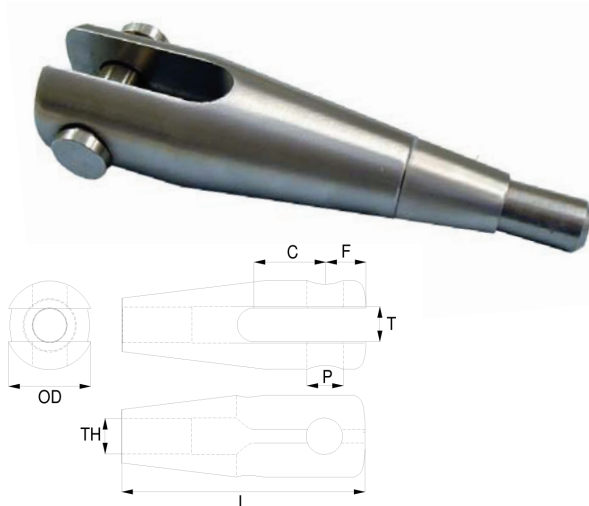
THE SYSTEM

Tension Bars, also known as Tension Rods, Tie Bars and Tie Rods, are manufactured in the UK by Petersen.

Tension Bar systems consist of a threaded stainless steel tie terminated with an SBS-450 fork clevis adjuster at each end. The SBS-450 fork and clevis pins are designed in accordance with BS5950-1:2000, EN 1993-1-11:2006 and EN 1993-1-8:2005 and are machined - not cast - from a high-strength duplex stainless steel.

The SBS-450 fork clevis ends allow a generous amount of adjustment and are normally supplied in pairs with one left hand and one right hand threaded end. After installation the Tension Bar can be rotated to set the correct length and locked into position using tapered lock cover nuts.

316 Tension Bars are manufactured from specially drawn high-tensile bar-stock with rolled threads. Tension Bar systems are available in up to 6m single lengths and couplers can be used to span further.

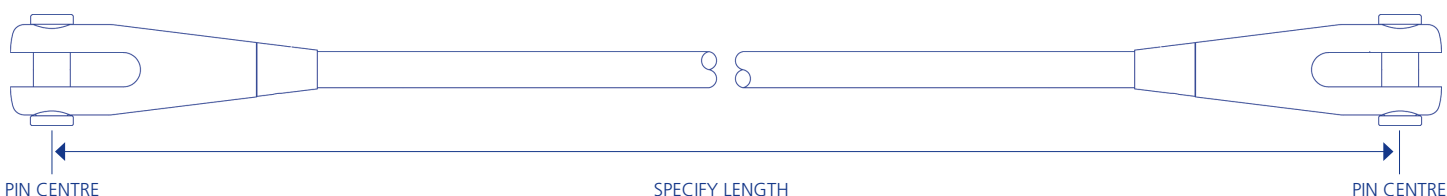


ADJ = Total adjustment

PART CODE	THREAD (METRIC)	PIN (P)	T	C	F	ADJ (+ / -)	OD	L	0.2% kN*	UTS kN*
B1-M10	M10 X 1.50	10mm	10mm	20mm	11.2mm	20mm	25mm	68.7mm	26.1	40.6
B1-M12	M12 X 1.75	12mm	12mm	24mm	13.8mm	24mm	32mm	82.8mm	37.8	58.8
B1-M16	M16 x 2.00	16mm	15mm	32mm	18.4mm	32mm	40mm	109.9mm	70.7	109.9
B1-M20	M20 x 2.50	20mm	19mm	40mm	23.0mm	40mm	50mm	137.5mm	110.3	171.5
B1-M24	M24 x 3.00	24mm	24mm	48mm	27.6mm	48mm	60mm	165.6mm	158.9	247.1
B1-M27	M27 x 3.00	27mm	26mm	54mm	31.1mm	54mm	70mm	185.9mm	206.6	321.3
B1-M30	M30 x 3.50	30mm	29mm	60mm	34.5mm	60mm	75mm	206.5mm	252.6	392.7
B1-M33	M33 x 3.50	33mm	32mm	66mm	38.0mm	66mm	80mm	227.3mm	312.3	485.8
B1-M36	M36 x 4.00	36mm	34mm	72mm	41.4mm	72mm	90mm	247.4mm	376.7	571.9
B1-M39	M39 x 4.00	39mm	38mm	78mm	44.9mm	78mm	100mm	268.7mm	439.2	638.2
B1-M42	M42 x 4.50	42mm	40mm	84mm	48mm	168mm	100mm	289mm	504.5	784.7

ADJ = or - as standard set in mid position.

*Sizes above M39 also available - please contact us for further details. *in accordance with BS5950-1:2000 and EN 1993-1-8:2005



TECHNICAL DATA

The Hi-Mod SBS450 bars are manufactured from stainless steel grade 316 EN10088 1.4401/4 which offers higher corrosion resistance. The pins are designed in accordance with BS 5950-1:2000 and EN 1993-1-8:2005. All components are produced in accordance with our quality systems. Bar lengths are available up to 6m. Lengths exceeding 6m are also available by utilising a bar coupler. All accessories are finished to a N4 standard (240 grit satin) other finishes are available on request. Bars are produced to a bright drawn finish. **NOTE** If the forks are at maximum adjustment then half a diameter of thread will be visible are the Taper Nut has been fully tightened. Modules of Elasticity 200N/mm²